

CONTACT

If you have technical problems, first contact your installer. The following information is required in order to provide you with the necessary assistance:

- Inverter device type
- Serial number of inverter
- Type of connected small wind turbine system
- Event number or display message of the inverter
- Optional equipment (e.g. communication devices)

SMA Solar Technology AG

Sonnenallee 1
34266 Niestetal, Germany
www.SMA.de/en

SMA Serviceline

Inverters: +49 561 9522 1499
Communication: +49 561 9522 2499
Fax: +49 561 9522 4699
E-Mail: Serviceline@SMA.de

Installer contact



Wind Power Inverter

WINDY BOY 3600TL / 5000TL

User Manual



WB36TL_50TL-BEN101310 | IMEN-WB36_50TL | Version 1.0

EN

EXPLANATION OF SYMBOLS

Symbols on the Inverter



Operation display.



An error has occurred. Please inform your installer **immediately**.



Bluetooth®. Bluetooth communication active.*

Symbols on the Type Plate



Warning: dangerous electrical voltage.
The inverter operates at high voltages. All electrical work on the inverter must be carried out by qualified personnel only.



Beware of hot surface.
The inverter can become hot during operation. Avoid contact during operation.



Please observe enclosed documentation.



The inverter must not be disposed of together with the household waste.
For more information on disposal, please see the installation guide included upon delivery.



CE mark. The inverter complies with the requirements of the applicable EC guidelines.



RAL quality mark for solar products. The inverter complies with the requirements of the German Institute for Quality Assurance and Labeling.



Direct current (DC)



Alternating current (AC)



The inverter is protected against penetration by dust particles and water jets from any angle.



The inverter is transformerless.

* The Bluetooth® word mark and logos are registered trademarks owned by Bluetooth SIG, Inc. and any use of these marks by SMA Solar Technology AG is under license.

VISUAL INSPECTION, MAINTENANCE AND CLEANING

Visual inspection

Check the inverters and the cables for visible external damage. Contact your installer if you find any damage. Do not perform any repair work yourself.

Maintenance and Cleaning

Have correct operation of the inverter regularly checked by your installer.

GLOSSARY

AC

Abbreviation for "alternating current".

Bluetooth

Bluetooth is a radio technology that allows the inverter and other communication devices to communicate with each other. Bluetooth communication does not require visual contact between the devices.

DC

Abbreviation for "direct current".

Electronic Solar Switch (ESS)

The Electronic Solar Switch is part of the inverter's DC switch-disconnector. Electronic Solar Switch must be securely inserted into the bottom of the inverter and may only be removed by qualified personnel.

SAFETY INSTRUCTIONS



DANGER!

Electric shock from high voltage at inverter.

Even when no external voltage is present, there can still be high voltages in the device. The following work must be carried out by qualified personnel only:

- Electrical installation
- Repairs
- Modification



CAUTION!

Risk of injury from touching the enclosure during operation. Burns to the body.

- Only touch lid and display during operation.

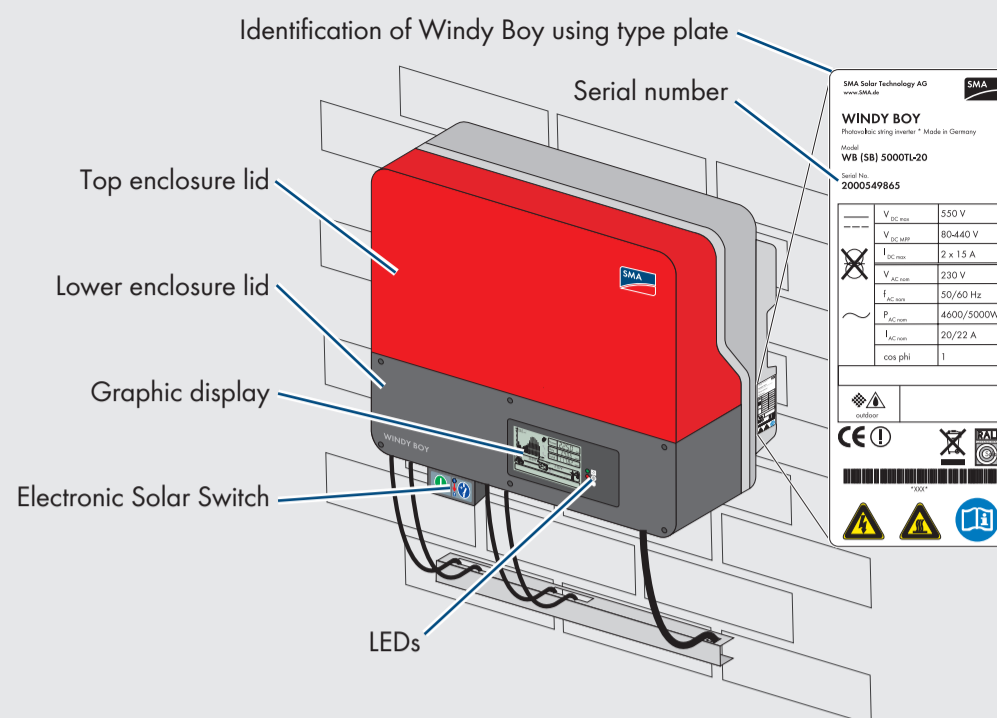


CAUTION!

Yield loss due to poor heat dissipation.

- Do not place any objects on the enclosure.

PRODUCT OVERVIEW



GRAPHIC DISPLAY

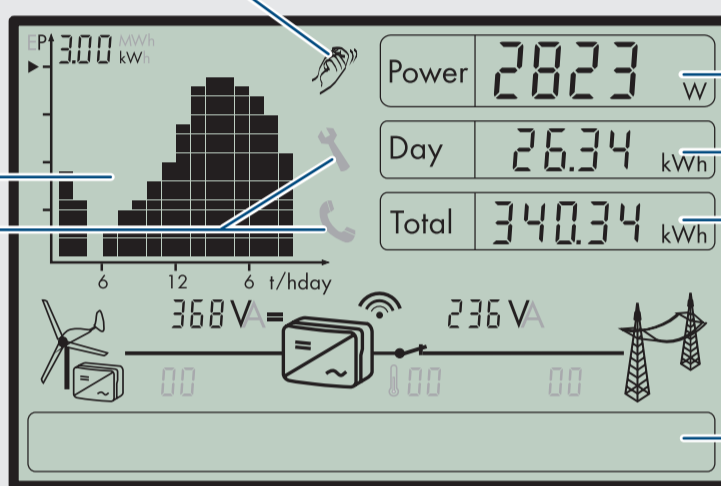
The display updates the values of your small wind turbine every five seconds.

Tapping on the cover:

- Activating the background illumination
- Switching from the energy values of the past 16 feed-in hours to daily energy values of the past 16 days
- Switching through the line display

Graphical display of the inverter energy

Failure
Contact installer



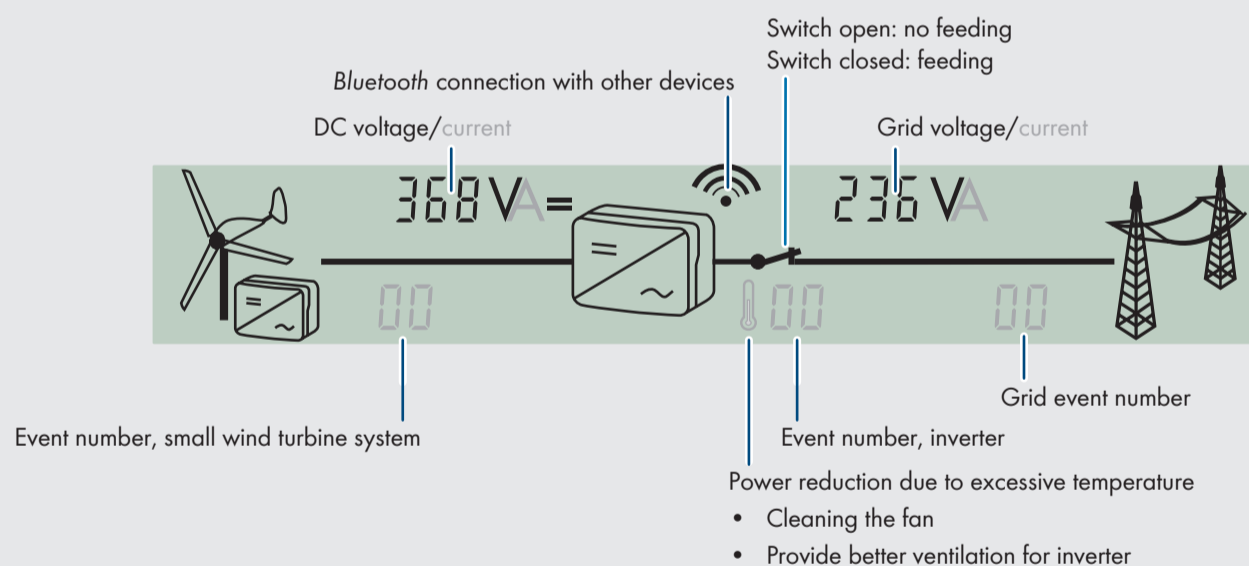
Current output

Daily energy

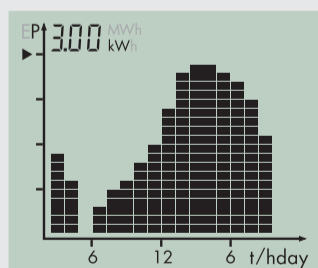
Total energy generated since the inverter was installed

Text line for displaying an event

PLANT OVERVIEW



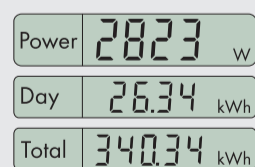
DIAGRAM



The inverter energy is shown as a diagram on the display. The daily graph is displayed by default. The right-hand flashing bar of the diagram represents the current hour. In case the inverter does not feed any power into the grid for a prolonged period (e.g. when the wind is calm), a gap is inserted into the graph. The bar for the current hour is updated automatically every five seconds. After four seconds, the bar goes off for one second and then displays the current value.

POWER DISPLAY

The power and energy of the inverter are displayed in the three fields: Power, Day and Total. The display is updated every five seconds.



Power

Current inverter power output fed into the grid.

Day

The energy fed into the grid on this particular day. This means the energy total from midnight to the current time.

Total

Total energy which the inverter has fed into the grid during its entire operating time.

MEASUREMENT ACCURACY

The display values may deviate from the actual values and must not be used as a basis for invoicing. The inverter's measured values are required for the system management and to control the current to be fed to the grid. The inverter does not have a calibrated meter.

LED

- Green LED is glowing: Operation
- Green LED is flashing: Network connection conditions not yet reached.
- Red LED is glowing: Failure: contact installer.
- Blue LED is glowing: The inverter has been incorporated into a Bluetooth network and can communicate with other devices with identical NetID.
- Blue LED is flashing: The inverter was identified with Sunny Explorer by setting the "Find device" parameter.